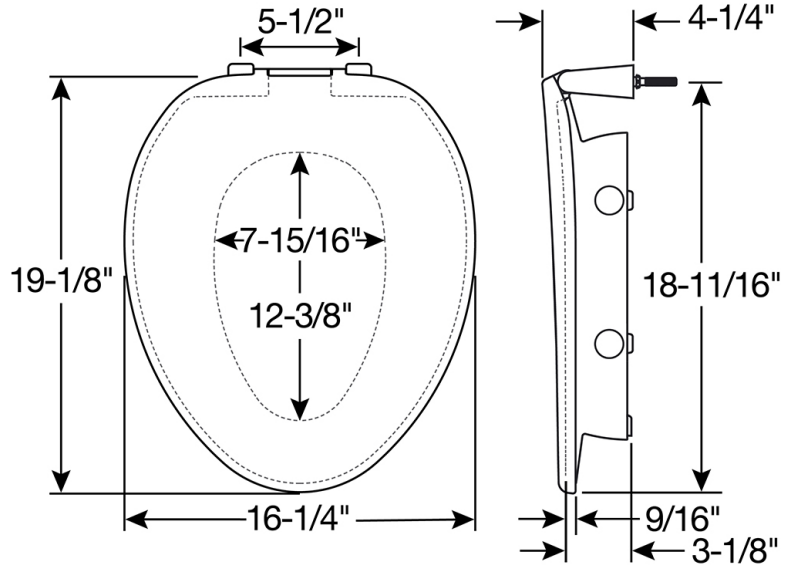




# ASSURANCE® E85320TSS

3" RAISED PREMIUM TOILET SEAT  
WITH CLEAN·SHIELD™



## FEATURES:

- **3" Raised Seat**  
Assists with sitting and standing
- **Stay·Tite® Commercial Fastening System™**  
Never Loosens. Guaranteed.
- **Clean·Shield™**  
Keeps everything in the bowl
- **Residential Appearance**  
Blends with home interiors
- **Heavy-Duty Oversized Ring**  
For comfort and support
- **Self-Sustaining Check Hinges**  
Keeps seat upright for standing use or cleaning
- **Super·Grip®**  
Stabilizing bumpers

## SPECIFICATIONS:

- Size:** Elongated
- Material:** Plastic
- Style:** Closed Front with Cover
- Ring Bumpers:** Four
- Hinges:** Plastic Self-Sustaining Check Hinges with Non-Corroding 300 Series Stainless Steel Posts & Pintles
- Hardware:** Stay·Tite® Commercial Fastening System™
- Weight Capacity:** 1,000 lbs \*

## Codes & Standards:



Complies with  
IAPMO/ANSI Z124.5  
Performance Standards  
Heavy-Duty Commercial



\* Always check the load-bearing weight of the water closet.